



The Zumitz Collection has been developed from a typically rural object that is firmly rooted in the world of work. Woven chestnut wood steals the limelight in these original creations with their distinguished modern touch.

CATEGORY:

Props

ENVIRONMENT:

Indoor

APPLICATIONS:

- CHR
- Public
- Office
- Home

WEIGHT: 10 kg

MATERIALS:

Metal structure, and woven chestnut wood. Natural finish.

MADE TO ORDER: Finishes page 2

ACCESSORIES: No

ASSEMBLED PRODUCT: Yes

REMOVABLE PRODUCT: No

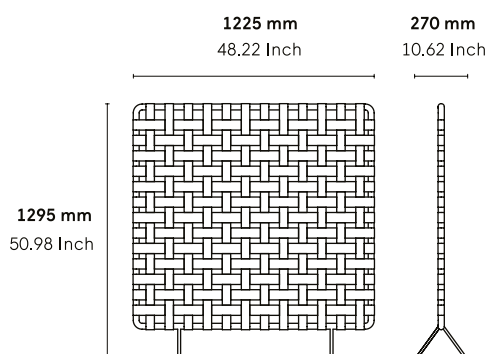
CLEANING AND CARE INSTRUCTIONS:

Dry cloth. To avoid aerosol and spray products with silicone.

DOWNLOADS:

3D and 2D files are available at alki.fr – images bank section.

DIMENSIONS :



Non contractual document - modifiable without previous notice.

Finishes

Wood



Natural Oak

ORGANIZATION

Dividers

Dividers

