

Heldu horizontal divider

Design by Iratzoki Lizaso



Some panels complete the Heldu office collection and enable space to be organised accordingly. They are available in horizontal and vertical format.

CATEGORY:

Props

ENVIRONMENT:

Indoor

APPLICATIONS:

- CHR
- Public
- Office
- Home

WEIGHT: 8 kg

MATERIALS:

Frame multiply and interior cork board. Metal base with rotating system, with oak paneling. Upholstered in fabric, simili or leather..

MADE TO ORDER: Finishes page 2

ACCESSORIES: No

ASSEMBLED PRODUCT: Yes

REMOVABLE PRODUCT: No

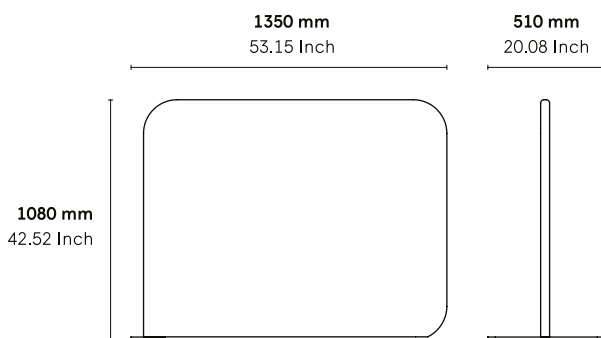
CLEANING AND CARE INSTRUCTIONS:

Dry cloth. To avoid aerosol and spray products with silicone

DOWNLOADS:

Fichiers 3D et 2D sont disponibles sur alki.fr section banque d'images.

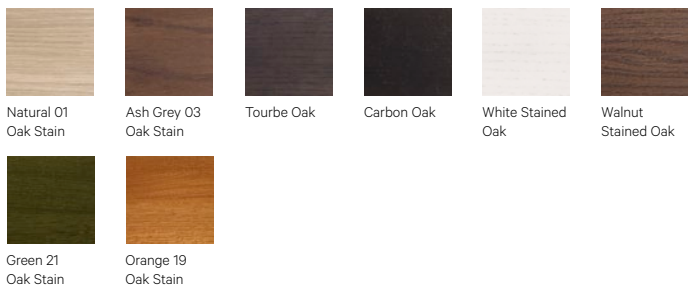
DIMENSIONS :



Non contractual document - modifiable without previous notice.

Finishes

Wood



Eco Leather

G1: Toronto | G2: Palma NF



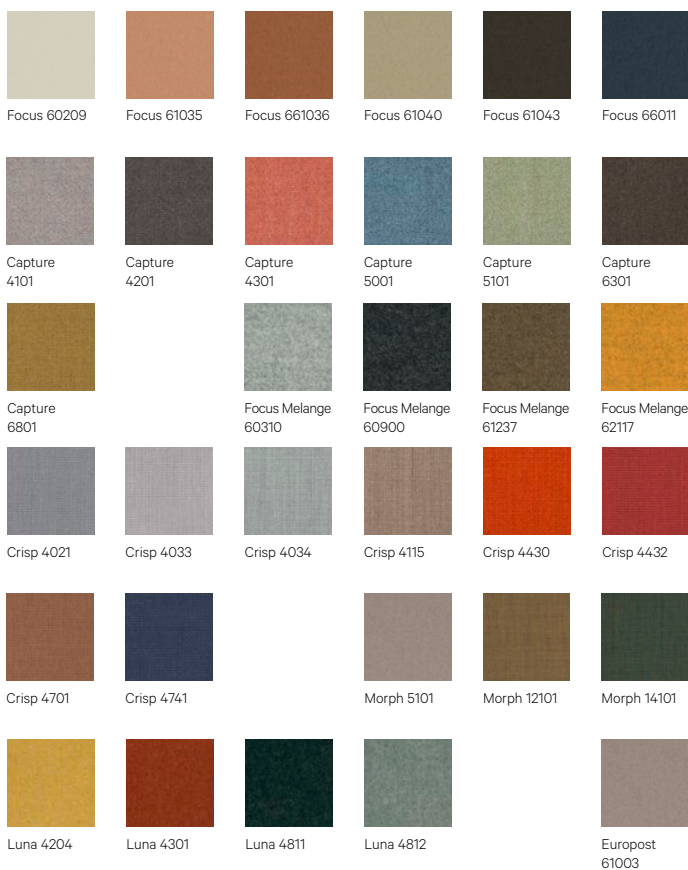
Leather

G4: Gracia



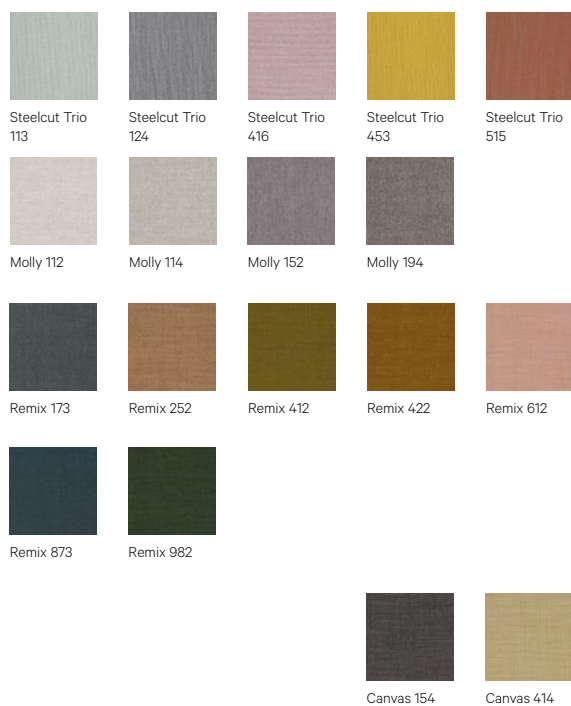
Fabrics by Gabriel

G1: Europost, Crisp, Capture, Focus | G2: Morph | G3: Luna, Focus M.



Fabrics by Kvadrat

G1: Remix | G2: Molly, Canvas | G3: Steelcut Trio



Heldu Collection

Design by Jean Louis Iratzoki

SEATING

Chairs
Benches
Stools

Chairs



Stools



Benches



TABLES

Desk Tables
Meeting Tables
Bench Tables
High Working Tables
Dining Tables
High Dining Tables
Low Tables

Desk Tables



Meeting Tables



Dining Tables



High Dining Tables



ORGANIZATION

Storage & Shelving
Drawers
Dividers
Props & Accessories

High Working Tables



Bench Tables



Bench Tables



Low Tables



Storage & Shelving



Drawers



Dividers



Props & Accessories

