

# Landa container

## Fixed

Design by Samuel Accoceberry



Landa collection enriches with new accessories such as small containers enabling to tidy up books, files, office supplies... These containers are proposed in different sizes, totally mobile, and could be covered by wool on the outside. We always find the red brush to pass easier cables from inside the desk.

**CATEGORY:**

Storage

**ENVIRONMENT:**

Indoor

**APPLICATIONS:**

- CHR
- Public
- Office
- Home

**WEIGHT:** 22 kg

**MATERIALS:**

Structure beech veneer covered with wool. Drawers: interior beech, exterior oak. Made of roller bearings in total output.

Top and shelves: multi-ply oak.

**MADE TO ORDER:** Finishes page 2

**ACCESSORIES:** No

**ASSEMBLED PRODUCT:** Yes

**REMOVABLE PRODUCT:** No

**COM:** Upon request and under alki's confirmation

**COL:** Not available in leather

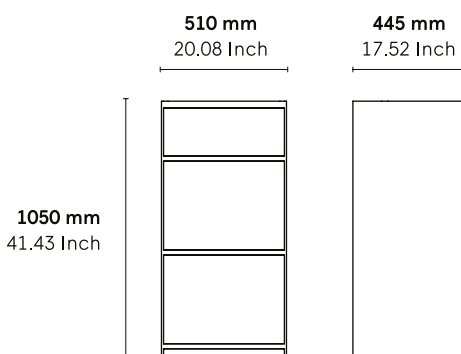
**CLEANING AND CARE INSTRUCTIONS:**

Dry cloth. To avoid aerosol and spray products with silicone. For upholstery versions please find cleaning instructions for selected fabric at kvadrat.dk, gabriel.dk, anticcuir.com and hornschuch.com

**DOWNLOADS:**

3D and 2D files are available at alki.fr – images bank section.

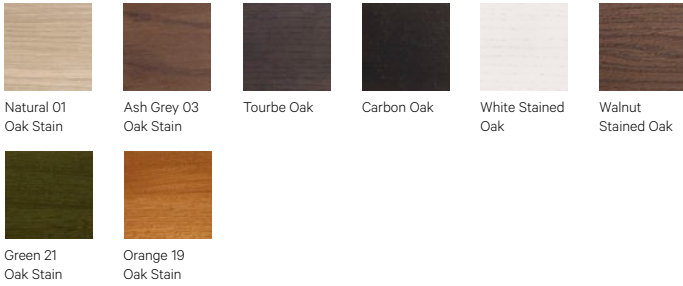
**DIMENSIONS :**



Non contractual document - modifiable without previous notice.

# Finishes

## Wood



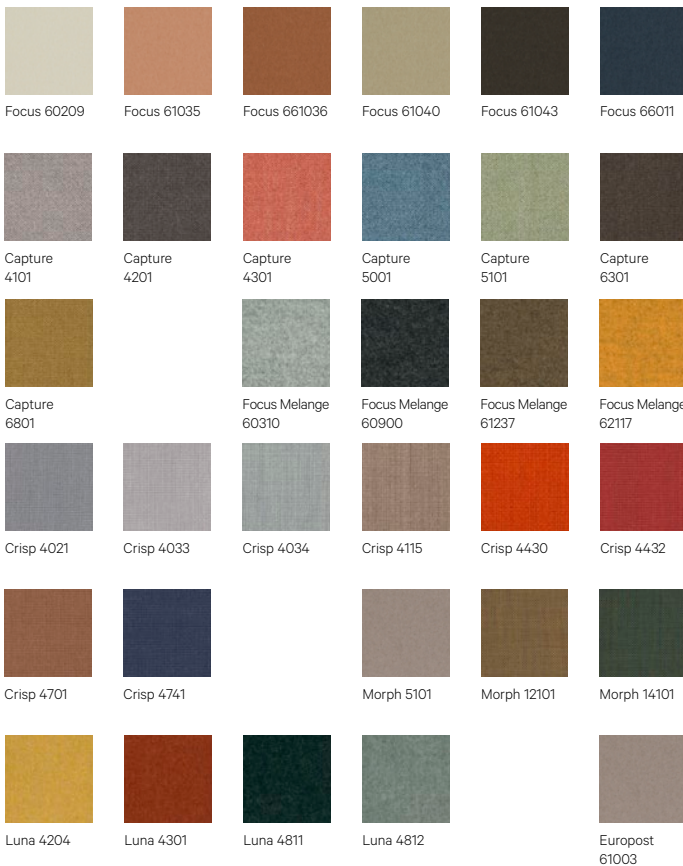
## Eco Leather

G1: Toronto | G2: Palma NF



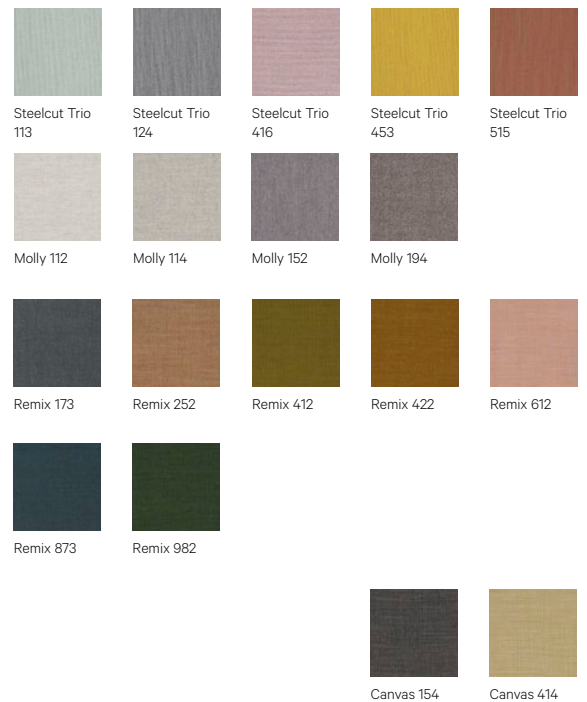
## Fabrics by Gabriel

G1: Europost, Crisp, Capture, Focus | G2: Morph | G3: Luna, Focus M.



## Fabrics by Kvadrat

G1: Remix | G2: Molly, Canvas | G3: Steelcut Trio



## TABLES

Desk Tables

### Desk Tables

---



## ORGANIZATION

Storage & Shelving

Drawers

### Storage & Shelving

---



### Drawers

---

