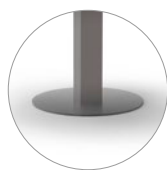


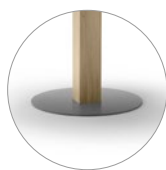
Emea Bistrot Table

Design by Iratzoki Lizaso

1080 x Ø 900 mm



Metal leg



Oak leg



Round
Metal leg



Round
Oak leg



The Emea bistrot table has a central metal leg covered in solid oak. The top can be round or square, available in several sizes.

CATEGORY:

Tables

ENVIRONMENT:

Indoor

APPLICATIONS:

- CHR
- Public
- Office

WEIGHT: 32,2 kg

MATERIALS:

Top in 38mm multi-ply + 4 underpads solid cuts miter, oak veneer 2 sides. Bistrot: metal legs covered in oak

MADE TO ORDER: Finishes page 2

ACCESSORIES: No

ASSEMBLED PRODUCT: Yes

REMOVABLE PRODUCT: No

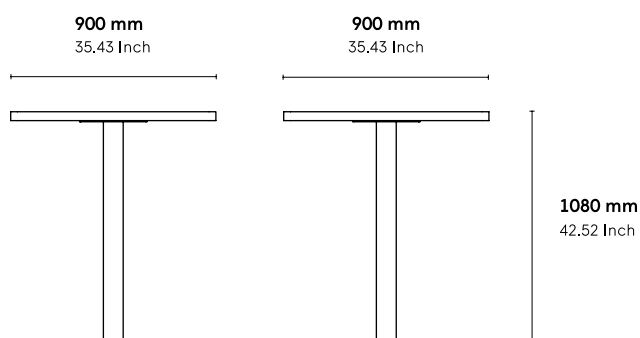
CLEANING AND CARE INSTRUCTIONS:

Dry cloth. To avoid aerosol and spray products with silicone.

DOWNLOADS:

3D and 2D files are available at alki.fr – images bank section.

DIMENSIONS :



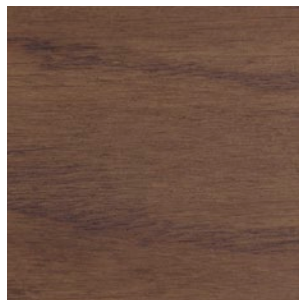
Non contractual document - modifiable without previous notice.

Finishes

Wood



Natural Oak



Ash Grey Oak



Tourbe Oak



Carbon Oak



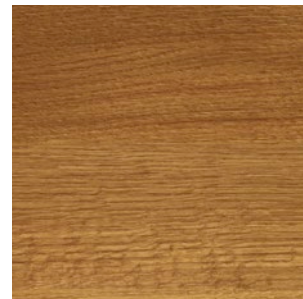
Walnut Stained Oak



White Stained Oak



Green Z1 Oak Stain



Orange 19 Oak Stain

Emea Collection

Design by Jean Louis Iratzoki

SEATING

- Chairs
- Lounge Chairs
- Benches
- Stools

TABLES

- Meeting Tables
- High Working Tables
- Dining Tables
- High Dining Tables
- Bistro Tables

Chairs



Lounge Chairs



Stools



Bench



Meeting Tables



High Working Tables



Dining Tables



High Dining Tables



Bistro Tables

