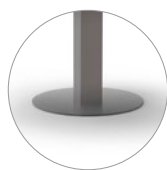


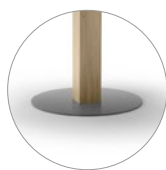
# Emea Bistrot Table

Design by Iratzoki Lizaso

900 x Ø 900 mm



Metal leg



Oak leg



Round  
Metal leg



Round  
Oak leg



The Emea bistrot table has a central metal leg covered in solid oak. The top can be round or square, available in several sizes.

**CATEGORY:**

Tables

**ENVIRONMENT:**

Indoor

**APPLICATIONS:**

- CHR
- Public
- Office

**WEIGHT:** 30,7 kg

**MATERIALS:**

Top in 38mm multi-ply + 4 underpads solid cuts miter, oak veneer 2 sides. Bistrot: metal legs covered in oak

**MADE TO ORDER:** Finishes page 2

**ACCESSORIES:** No

**ASSEMBLED PRODUCT:** Yes

**REMOVABLE PRODUCT:** No

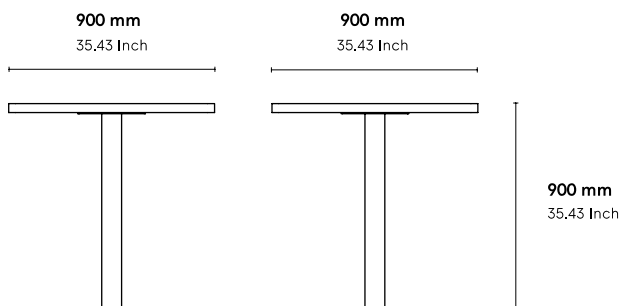
**CLEANING AND CARE INSTRUCTIONS:**

Dry cloth. To avoid aerosol and spray products with silicone.

**DOWNLOADS:**

3D and 2D files are available at [alki.fr](http://alki.fr) – images bank section.

**DIMENSIONS :**



Non contractual document - modifiable without previous notice.

---

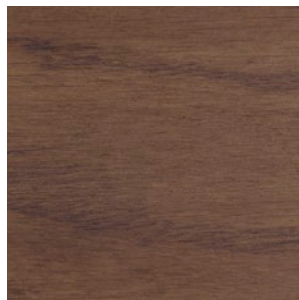
# Finishes

## Wood

---



Natural Oak



Ash Grey Oak



Tourbe Oak



Carbon Oak



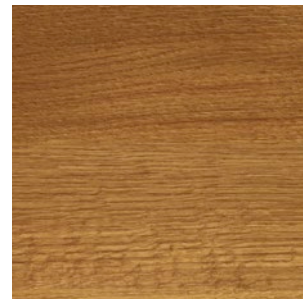
Walnut Stained Oak



White Stained Oak



Green Z1 Oak Stain



Orange 19 Oak Stain

# Emea Collection

Design by Jean Louis Iratzoki

## SEATING

- Chairs
- Lounge Chairs
- Benches
- Stools

## TABLES

- Meeting Tables
- High Working Tables
- Dining Tables
- High Dining Tables
- Bistro Tables

### Chairs



### Lounge Chairs



### Stools



### Bench



### Meeting Tables



### High Working Tables



### Dining Tables



### High Dining Tables



### Bistro Tables

