

---

# Triku Bistrot Table

1080 x 730 x 720 mm

Design by Samuel Accoceberry



---

**The Triku high table has a solid oak construction and top. It is available in two heights. The metal footrest is painted in white or red.**

**CATEGORY:**

Tables

**ENVIRONMENT:**

Indoor

**APPLICATIONS:**

- CHR
- Public
- Office

**WEIGHT:** 32 kg

**MATERIALS:**

Solid oak construction. Top in 32 mm oak.

Metal footrest available in White (RAL 9001) or Red (RAL 3020)

**MADE TO ORDER:** Finishes page 2

**ACCESSORIES:** No

**ASSEMBLED PRODUCT:** Yes

**REMOVABLE PRODUCT:** No

**CLEANING AND CARE INSTRUCTIONS:**

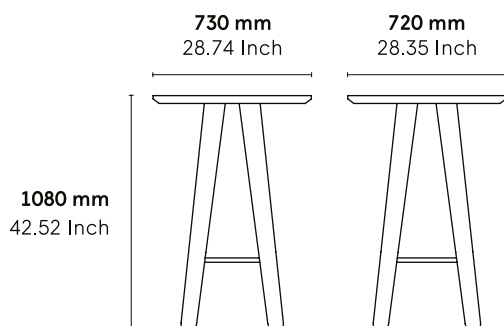
Dry cloth. To avoid aerosol and spray products with silicone.

**DOWNLOADS:**

3D and 2D files are available at [alki.fr](http://alki.fr) – images bank section.

---

**DIMENSIONS :**



Non contractual document - modifiable without previous notice.

---

# Finishes

## Wood

---



Natural Oak



Ash Grey Oak



Tourbe Oak



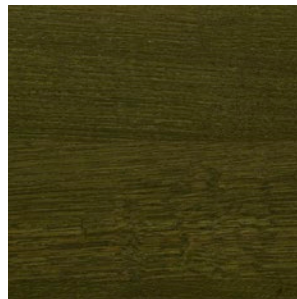
Carbon Oak



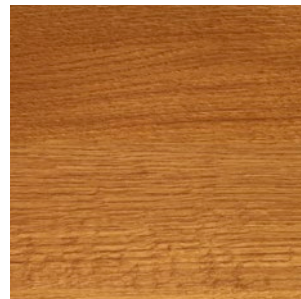
Walnut Stained Oak



White Stained Oak



Green Z1 Oak Stain



Orange 19 Oak Stain

# Triku Collection

Design by Samuel Accoceberry

## SEATING

Chairs  
Stools

### Chairs



### Stools



## TABLES

Meeting Tables  
Dining Tables  
Bistro Tables  
Low Tables

### Dining Tables



### Meeting Tables



### Bistro Tables



### Low Tables

