

# Lur Bistrot Table

1080 x Ø 700 mm

Design by Iratzoki Lizaso



Metal leg



Oak leg



The Lur collection is the result of a collaboration between Alki and the local ceramics expert Goicoechea. Combining the knowledge of our mutual favourite materials, wood and terracotta, Lur covers different functions. The tables are available in 3 different heights and dimensions.

**CATEGORY:**

Table

**ENVIRONMENT:**

Indoor

**APPLICATIONS:**

- CHR
- Public
- Office
- Home

**WEIGHT:** 29 kg

**MATERIALS:**

Metal leg or metal leg covered with oak, base in terracotta.  
Top 225mm solid oak 3-plys or fenix laminate with solid edge cut.  
Only for indoor use.

**MADE TO ORDER:** Finishes to be specified.

**ACCESSORIES:** No

**ASSEMBLED PRODUCT:** Yes

**REMOVABLE PRODUCT:** No

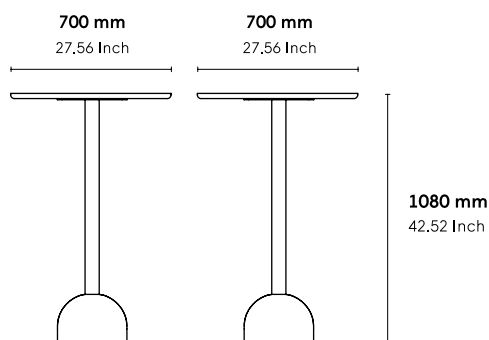
**CLEANING AND CARE INSTRUCTIONS:**

Dry cloth. To avoid aerosol and spray products with silicone.

**DOWNLOADS:**

3D and 2D files are available at alki.fr – images bank section.

**DIMENSIONS :**



Non contractual document - modifiable without previous notice.

# Lur Collection

Design by Iratzoki Lizaso

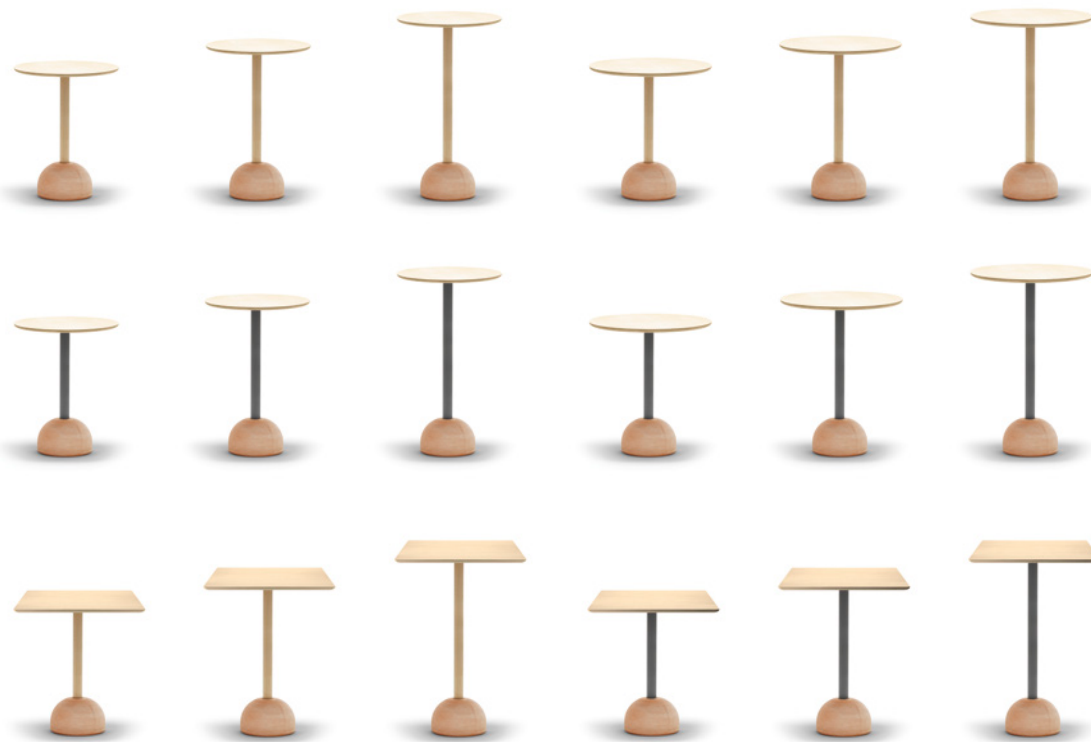
TABLES

Bistrot Tables

## Bistro Tables

ORGANIZATION

Pots



## Pots

