

Laia high

1080 x 1600 x 700 mm

Design by Jean Louis Iratzoki



The Laia table is also available in high version. With a solid oak construction, it is perfect to have a breakfast or to snack throughout the day.

CATEGORY:

Table

ENVIRONMENT:

Indoor

APPLICATIONS:

- CHR
- Public
- Office

WEIGHT: 30 kg

MATERIALS:

Legs in solid oak. Top in 16mm multi-ply + 4 solid mitre-cut edges, oak veneer 2 sides.

MADE TO ORDER: Finishes page 2

ACCESSORIES: No

ASSEMBLED PRODUCT: Yes

REMOVABLE PRODUCT: No

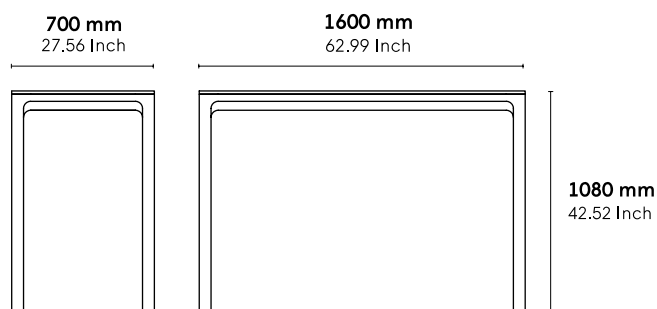
CLEANING AND CARE INSTRUCTIONS:

Dry cloth. To avoid aerosol and spray products with silicone.

DOWNLOADS:

3D and 2D files are available at alki.fr – images bank section.

DIMENSIONS :



Non contractual document - modifiable without previous notice.

Finishes

Wood



Natural Oak



Ash Grey Oak



Tourbe Oak



Carbon Oak



Walnut Stained Oak



White Stained Oak



Green Z1 Oak Stain



Orange 19 Oak Stain

Electrification

Electrification Bachmann



Cable pass system



Laia Collection

Design by Jean Louis Iratzoki

SEATING

- Chairs
- Working Chairs
- Meeting Chairs
- Benches
- Stools

TABLES

- Desk Tables
- Meeting Tables
- High Working Tables
- Dining Tables
- High Dining Tables
- Low Tables

Chairs



Stools



Working Chairs



Meeting Chairs



Benches



Desk Tables



Meeting Tables



High Working Tables



Dining Tables



High Dining Tables



Low Tables

