

Heldu Storage

3 doors

Design by Iratzoki Lizaso



Among other possibilities, the Heldu desk collection offers several storage devices made of oak: mobile containers available with drawers and folders storage, as well as a furniture system whose ingenious design allows it to integrate with Heldu office desk

CATEGORY:

Storage

ENVIRONMENT:

Indoor

APPLICATIONS:

- CHR
- Public
- Office

WEIGHT: 30 kg

MATERIALS:

Plywood structure , oak veneer. Doors and pannels : oak veneer/ particle board. Inside shelve.

MADE TO ORDER: Finishes page 2

ACCESSORIES: No

ASSEMBLED PRODUCT: No

REMOVABLE PRODUCT: No

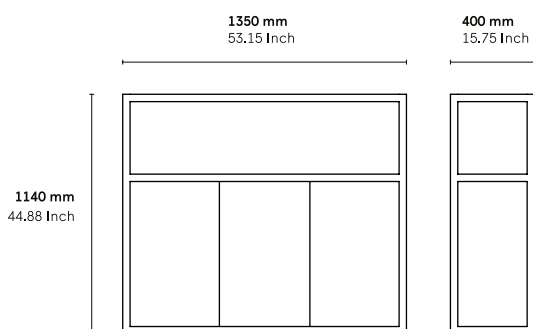
CLEANING AND CARE INSTRUCTIONS:

Dry cloth. To avoid aerosol and spray products with silicone.

DOWNLOADS:

3D and 2D files are available at alki.fr – images bank section.

DIMENSIONS :



Non contractual document - modifiable without previous notice.

Finishes

Wood



Natural Oak



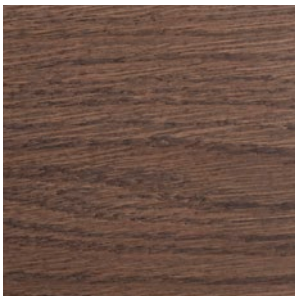
Ash Grey Oak



Tourbe Oak



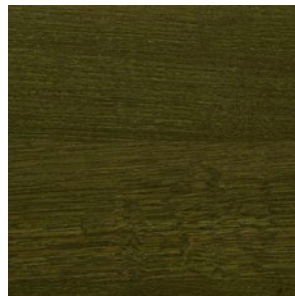
Carbon Oak



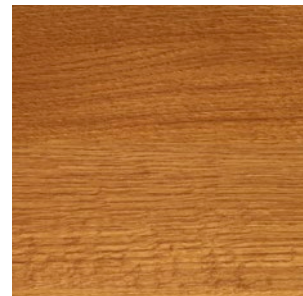
Walnut Stained Oak



White Stained Oak



Green Z1 Oak Stain



Orange 19 Oak Stain

Heldu Collection

Design by Jean Louis Iratzoki

SEATING

Chairs
Benches
Stools

Chairs



Stools



Benches



TABLES

Desk Tables
Meeting Tables
Bench Tables
High Working Tables
Dining Tables
High Dining Tables
Low Tables

Desk Tables



Meeting Tables



Dining Tables



High Dining Tables



ORGANIZATION

Storage & Shelving
Drawers
Dividers
Props & Accessories

High Working Tables



Bench Tables



Bench Tables



Low Tables



Storage & Shelving



Drawers



Dividers



Props & Accessories

