

Heldu Bench

Design by Jean Louis Iratzoki



The Heldu family has added a collection of benches.

CATEGORY:

Benches

ENVIRONMENT:

Indoor

APPLICATIONS:

- CHR
- Public
- Office

WEIGHT: 15 kg

MATERIALS:

Solid oak construction.
Seat in wood or upholstered in fabric.

IN OPTION: CMHR foam (non fire)

MADE TO ORDER: Finishes page 2

ACCESSORIES: No

ASSEMBLED PRODUCT: Yes

REMOVABLE PRODUCT: No

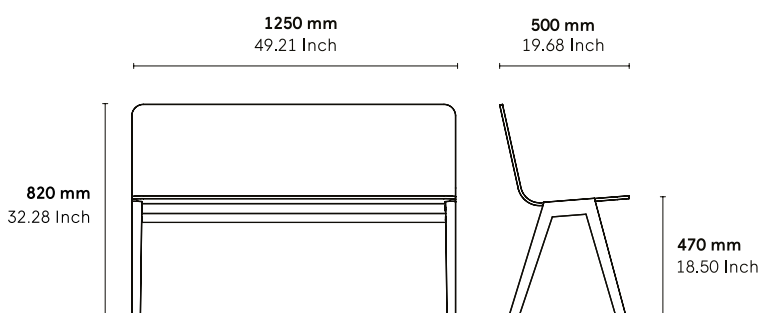
CLEANING AND CARE INSTRUCTIONS:

Dry cloth. To avoid aerosol and spray products with silicone. For upholstery versions please find cleaning instructions for selected fabric at kvadrat.dk, gabriel.dk, anticcuir.com and hornschuch.com

DOWNLOADS:

3D and 2D files are available at alki.fr – images bank section.

DIMENSIONS :



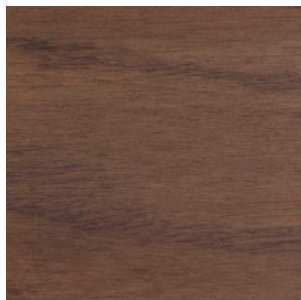
Non contractual document - modifiable without previous notice.

Finishes

Wood



Natural Oak



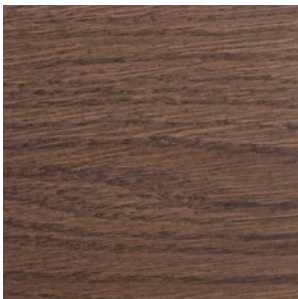
Ash Grey Oak



Tourbe Oak



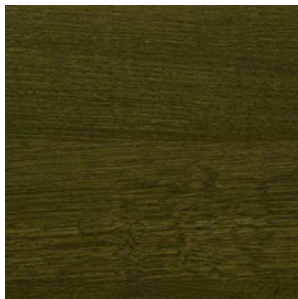
Carbon Oak



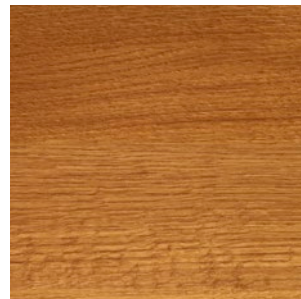
Walnut Stained Oak



White Stained Oak



Green Z1 Oak Stain



Orange 19 Oak Stain

Heldu Collection

Design by Jean Louis Iratzoki

SEATING

Chairs
Benches
Stools

Chairs



Stools



Benches



TABLES

Desk Tables
Meeting Tables
Bench Tables
High Working Tables
Dining Tables
High Dining Tables
Low Tables

Desk Tables



Meeting Tables



Dining Tables



High Dining Tables



ORGANIZATION

Storage & Shelving
Drawers
Dividers
Props & Accessories

High Working Tables



Bench Tables



Bench Tables



Low Tables



Storage & Shelving



Drawers



Dividers



Props & Accessories

