

Lan high back 5 legs

Design by Iratzoki Lizaso



The functional characteristics of the Lan chair are inconspicuous: the mechanism disappears under the seat and the armrests form an integral part of the backrest. Meticulous work has been carried out on the shape, the contact zones and the choice of materials in order to create a congenial and comfortable object. Wood, Alki's favourite material, is used in both inside and outside the seat.

CATEGORY:

Office chair

ENVIRONMENT:

Indoor

APPLICATIONS:

- CHR
- Public
- Office

WEIGHT: 20 kg

MATERIALS:

5 legs swivel with castors, white or black matt finish and jack for adjustment (440 mm to 540 mm). Mechanism for adjusting and lock the backrest angle max 29°. Injected foam and fully upholstered for an optimal comfort. Wooden shell in oak veneer, seat fully upholstered.

IN OPTION: CMHR foam (non fire)

MADE TO ORDER: Finishes and upholsteries, page 2

SPARE PARTS: N/A

ACCESSORIES: N/A

ASSEMBLED PRODUCT: Yes

COM UPHOLSTERY:

Upon request and under alki's confirmation.

CLEANING AND CARE INSTRUCTIONS:

Dry cloth. To avoid aerosol and spray products with silicone. For upholstery versions please find cleaning instructions for selected fabric at kvadrat.dk, gabriel.dk, anticcuir.com and hornschurch.com

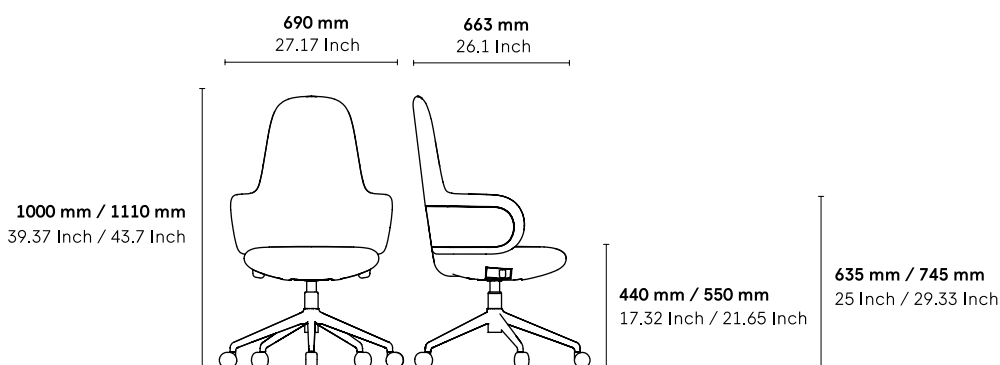
DOWNLOADS:

3D and 2D files are available at alki.fr – images bank section.

CERTIFICATES AND SUSTAINABILITY:

European standard: UNE-EN 1535-1: 2001/AC ET UNE-EN - 1535-2:2019

DIMENSIONS :



Non contractual document - modifiable without previous notice.

Finishes

Wood



Eco Leather

G1: Toronto | G2: Palma NF



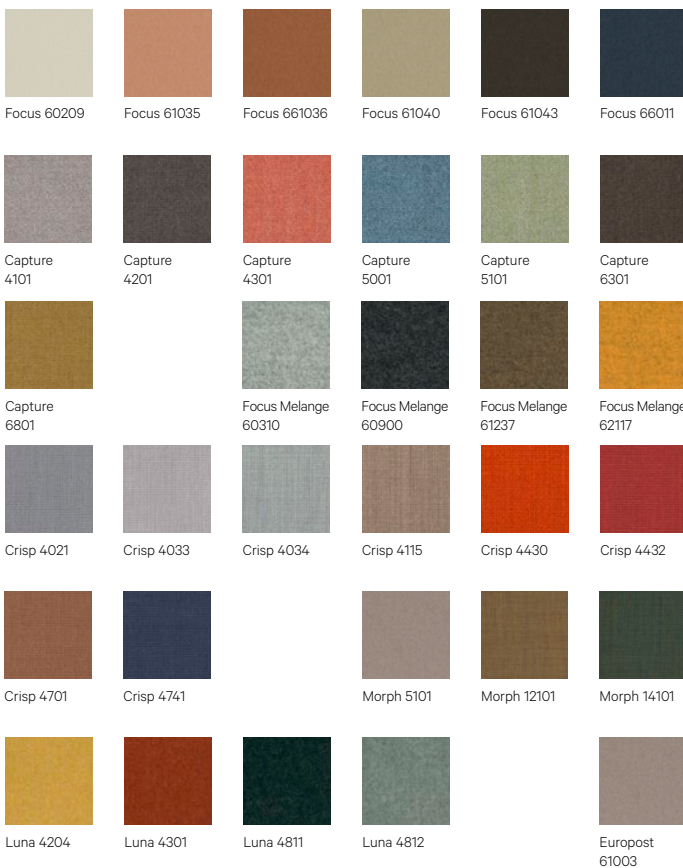
Leather

G4: Gracia



Fabrics by Gabriel

G1: Europost, Crisp, Capture, Focus | G2: Morph | G3: Luna, Focus M.



Fabrics by Kvadrat

G1: Remix | G2: Molly, Canvas | G3: Steelcut Trio



SEATING

Working Chairs
Meeting Chairs

Working Chairs



Meeting Chairs

