

Laia high back 5 legs

Design by Jean Louis Iratzoki



The Laia collection welcomes its latest addition: The Laia desk chair. Available with two back heights and two kinds of bases: five legs swivel or four legs fixed. Seat is in fabric, leather or eco-leather. Felt backing.

CATEGORY:

Office chair

ENVIRONMENT:

Indoor

APPLICATIONS:

- CHR
- Public
- Office

WEIGHT: 9,5 kg

MATERIALS:

5 legs swivel with castors, matt chromed metal, jack for adjustment between 440 mm to 560 mm. Seat in plywood upholstered in two versions: Front upholstery in Europost, Capture, Remix 2, Crisp, Palma, Palma NF, Crisscross, Canvas 2, Molly 2, Luna 2, Steelcut Trio 3 and Gracia, back in natural felt (4 mm thickness) Natural color Grey/Brown. Front and back upholstery: ONLY with Luna, Europost, Palma and Gracia finishes with felt between both sides.

IN OPTION: CMHR foam (non fire)

MADE TO ORDER: Finishes and upholsteries, page 2

SPARE PARTS: N/A

ASSEMBLED PRODUCT: Yes

COM UPHOLSTERY:

Upon request and under alki's confirmation.

- **Laia front upholstery:** COM 1,00 x 1,40 mts / 2 chairs
COL 5m² / 5 chairs
- **Laia front & back upholstery:** COM 1,00 x 1,40 mts / chair
COL 5m² / 2 chairs

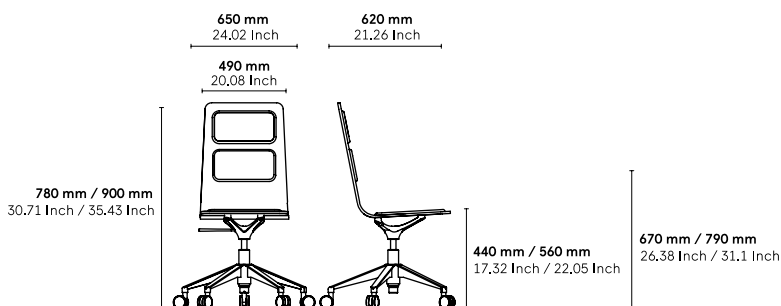
CLEANING AND CARE INSTRUCTIONS:

Dry cloth. To avoid aerosol and spray products with silicone. For upholstery versions please find cleaning instructions for selected fabric at kvadrat.dk, gabriel.dk, anticcuir.com and hornschurch.com

DOWNLOADS:

3D and 2D files are available at alki.fr – images bank section.

DIMENSIONS :



Non contractual document - modifiable without previous notice.

Finishes

Natural Wool Felt



Natural Wool Felt

Eco Leather

G1: Toronto | G2: Palma NF



Toronto White Toronto Pearl Toronto Birch Toronto Cappuccino Toronto Carob Toronto Chestnut



Toronto Cherry Toronto Ashgrey Toronto Cashmere Toronto Mocca Toronto Anthracite Toronto Corn



Palma NF Smoke Palma NF Schwartz Palma NF Baltic

Leather

G4: Gracia



Gracia 117 Gracia 902 Gracia 903 Gracia 908 Gracia 911



Gracia 913 Gracia 925 Gracia 930 Gracia 942 Gracia 943



Gracia 945 Gracia 1967 Gracia 1920

Fabrics by Gabriel

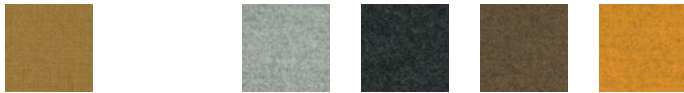
G1: Europost, Crisp, Capture, Focus | G2: Morph | G3: Luna, Focus M.



Focus 60209 Focus 61035 Focus 661036 Focus 61040 Focus 61043 Focus 66011



Capture 4101 Capture 4201 Capture 4301 Capture 5001 Capture 5101 Capture 6301



Capture 6801 Focus Melange 60310 Focus Melange 60900 Focus Melange 61237 Focus Melange 62117



Crisp 4021 Crisp 4033 Crisp 4034 Crisp 4115 Crisp 4430 Crisp 4432



Crisp 4701 Crisp 4741 Morph 5101 Morph 12101 Morph 14101



Luna 4204 Luna 4301 Luna 4811 Luna 4812 Europost 61003

Laia Collection

Design by Jean Louis Iratzoki

SEATING

- Chairs
- Working Chairs
- Meeting Chairs
- Benches
- Stools

TABLES

- Desk Tables
- Meeting Tables
- High Working Tables
- Dining Tables
- High Dining Tables
- Low Tables

Chairs



Stools



Working Chairs



Meeting Chairs



Benches



Desk Tables

Meeting Tables

High Working Tables



Dining Tables



High Dining Tables

Low Tables

