

Kuskoa Bi 5 legs

Design by Iratzoki Lizaso



The Kuskoa Bi, the first chair in the world to be manufactured in bioplastic, is now available in an office version. The wooden legs are replaced by a central metal structure.

CATEGORY:

Office chair

ENVIRONMENT:

Indoor

APPLICATIONS:

- CHR
- Public
- Office

WEIGHT: 15,5 kg

MATERIALS:

5 legs swivel with castors, white matt, jack for adjustment between 380 mm to 500 mm. Bio plastic shell in 2 versions: Seat pad upholstered or fully upholstered legs available in 2 mat colors: White or black.

IN OPTION: CMHR foam (non fire)

MADE TO ORDER: Finishes and upholsteries, page 2

SPARE PARTS: N/A

ACCESSORIES:

Removable seat pad, upholstered in fabric, eco leather or leather

ASSEMBLED PRODUCT: Yes

COM UPHOLSTERY:

Upon request and under alki's confirmation.

- **Kuskoa Bi:** COM 1,35 x 1,40 m / chair
COL 5m² / 1,5 chairs
- **Kuskoa Bi seat pad:** COM 0.75 x 1,40 m / 2 chairs
COL 5m² / 8 chairs

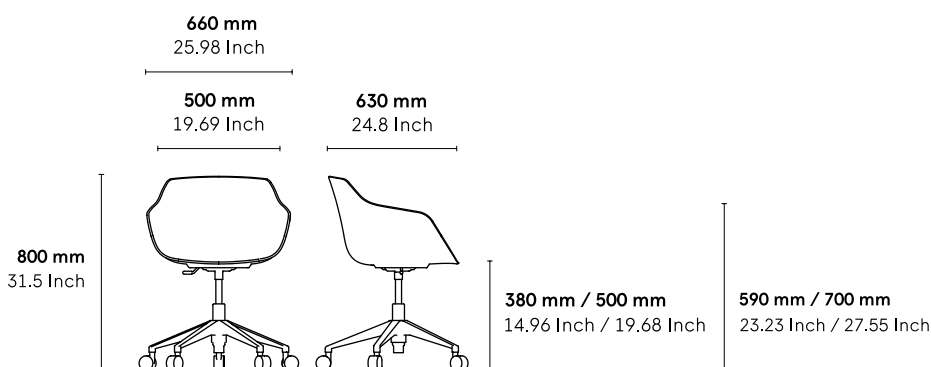
CLEANING AND CARE INSTRUCTIONS:

Dry cloth. To avoid aerosol and spray products with silicone. For upholstery versions please find cleaning instructions for selected fabric at kvadrat.dk, gabriel.dk, anticcuir.com and hornschuh.com

DOWNLOADS:

3D and 2D files are available at alki.fr – images bank section.

DIMENSIONS :



Non contractual document - modifiable without previous notice.

Finishes

Bioplastic



Terracota Sand

Eco Leather

G1: Toronto | G2: Palma NF



Toronto White Toronto Pearl Toronto Birch Toronto Cappuccino Toronto Carob Toronto Chestnut



Toronto Cherry Toronto Ashgrey Toronto Cashmere Toronto Mocca Toronto Anthracite Toronto Corn



Palma NF Smoke Palma NF Schwartz Palma NF Baltic

Fabrics by Gabriel

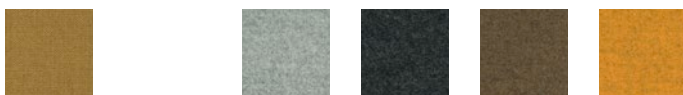
G1: Europost, Crisp, Capture, Focus | G2: Morph | G3: Luna, Focus M.



Focus 60209 Focus 61035 Focus 661036 Focus 61040 Focus 61043 Focus 66011



Capture 4101 Capture 4201 Capture 4301 Capture 5001 Capture 5101 Capture 6301



Capture 6801 Focus Melange 60310 Focus Melange 60900 Focus Melange 61237 Focus Melange 62117



Crisp 4021 Crisp 4033 Crisp 4034 Crisp 4115 Crisp 4430 Crisp 4432



Crisp 4701 Crisp 4741 Morph 5101 Morph 12101 Morph 14101



Luna 4204 Luna 4301 Luna 4811 Luna 4812 Europost 61003

Leather

G4: Gracia



Gracia 117 Gracia 902 Gracia 903 Gracia 908 Gracia 911



Gracia 913 Gracia 925 Gracia 930 Gracia 942 Gracia 943



Gracia 945 Gracia 1967 Gracia 1920

Fabrics by Kvadrat

G1: Remix | G2: Molly, Canvas | G3: Steelcut Trio



Steelcut Trio 113 Steelcut Trio 124 Steelcut Trio 416 Steelcut Trio 453 Steelcut Trio 515



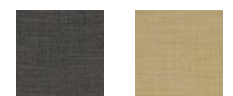
Molly 112 Molly 114 Molly 152 Molly 194



Remix 173 Remix 252 Remix 412 Remix 422 Remix 612



Remix 873 Remix 982



Canvas 154 Canvas 414

SEATING

Chairs

Working Chairs

Meeting Chairs

Chairs



Working Chairs



Meeting Chairs

