



The Pottolo chair is characterized by its comfortable curves and well-defined camber. The particularly meticulous upholstery work is done by hand. The seams assembling the different parts of the back give the silhouette a cinched waist that is both eye-catchingly graphic and snugly appealing. While the solid oak structure combined with upholstered features showcase the Cooperative's two foremost skills.

**CATEGORY:**

Chair

**ENVIRONMENT:**

Indoor

**APPLICATIONS:**

- CHR
- Public
- Office
- Home

**WEIGHT:** 10,6 kg

**MATERIALS:**

Solid oak construction. Seat fully upholstered in fabric, eco-leather or leather.

**IN OPTION:** CMHR foam (non fire)

**MADE TO ORDER:** Finishes and upholsteries, page 2

**SPARE PARTS:**

Slide glides, recommended for all types of flooring. Possibility to change for felt glides in case of wooden and marble floors.

**ACCESSORIES:** Non

**ASSEMBLED PRODUCT:** Yes

**COM UPHOLSTERY:**

Upon request and under alki's confirmation

**CLEANING AND CARE INSTRUCTIONS:**

Dry cloth. To avoid aerosol and spray products with silicone. For upholstery versions please find cleaning instructions for selected fabric at kvadrat.dk, gabriel.dk, anticcuir.com and hornschuch.com

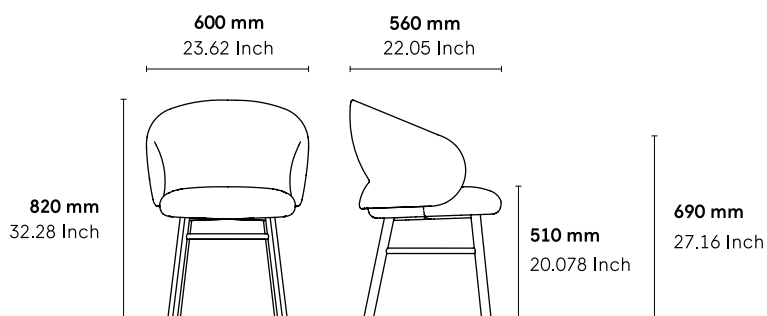
**DOWNLOADS:**

3D and 2D files are available at alki.fr – images bank section.

**CERTIFICATES :**

UNE-EN 16139: 2013 (Level 2, Extreme use)

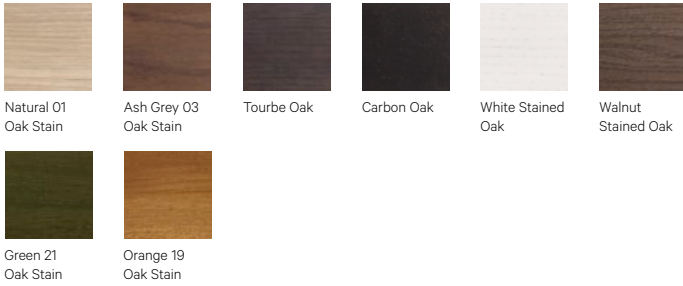
**DIMENSIONS :**



Non contractual document - modifiable without previous notice.

# Finishes

## Wood



## Eco Leather

G1: Toronto | G2: Palma NF



## Leather

G4: Gracia



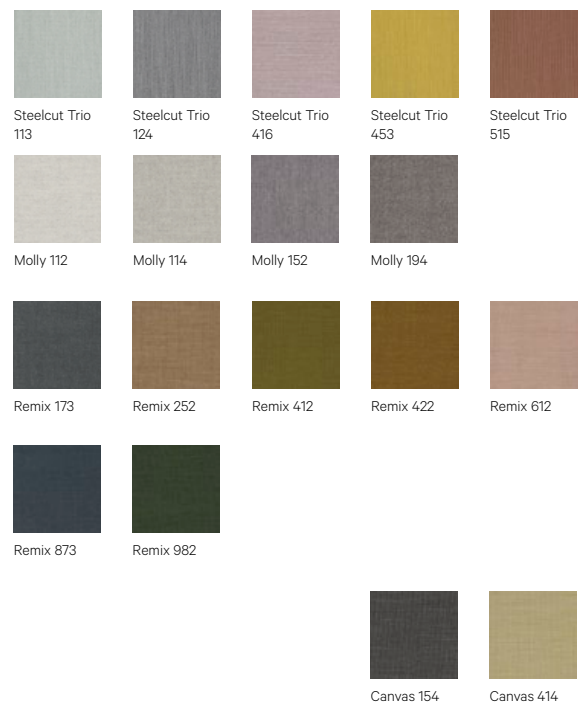
## Fabrics by Gabriel

G1: Europost, Crisp, Capture, Focus | G2: Morph | G3: Luna, Focus M.



## Fabrics by Kvadrat

G1: Remix | G2: Molly, Canvas | G3: Steelcut Trio



SEATING

Chairs

Working Chairs

Meeting Chairs

Stools

## Chairs

---



## Meeting Chairs

---



## Working Chairs

---



## Stools

---

