



Makil is a chair made of solid wood, based on the traditional café chair. Despite its simple appearance, Makil is the result of the skilled application of bentwood technique. The wood is bent with steam and then left to dry for a long period of time. Members of the Alki team then prepare and assemble it.

CATEGORY:

Armchair

ENVIRONMENT:

Indoor

APPLICATIONS:

- CHR
- Public

WEIGHT: 7,6 kg

MATERIALS:

Chair in solid oak construction, with a reinforced metal structure under the seat. Seat in wood, fabric, eco-leather and leather. Felt glides.

IN OPTION: CMHR foam (non fire)

MADE TO ORDER: Finishes and upholsteries, page 2

SPARE PARTS:

Felt glides recommended for all types of flooring. Possibility to change for slide glides in case carpet floors.

ACCESSORIES: No

ASSEMBLED PRODUCT: Yes

COM UPHOLSTERY:

Upon request and under alki's confirmation.

COM 0,65 x 1,40 mts / 2 chairs

COL 5m² / 8 chairs

CLEANING AND CARE INSTRUCTIONS:

Dry cloth. To avoid aerosol and spray products with silicone. For upholstery versions please find cleaning instructions for selected fabric at kvadrat.dk, gabriel.dk, anticcuir.com and hornschuch.com

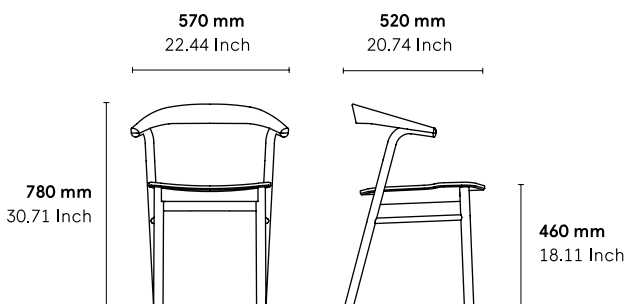
DOWNLOADS:

3D and DG files are available at alki.fr – images bank section.

CERTIFICATES AND SUSTAINABILITY:

UNE-EN 16139:2013/ Corrected version 2015 (Level L2, extreme use)

DIMENSIONS :



Finishes

Wood



Eco Leather

G1: Toronto | G2: Palma NF



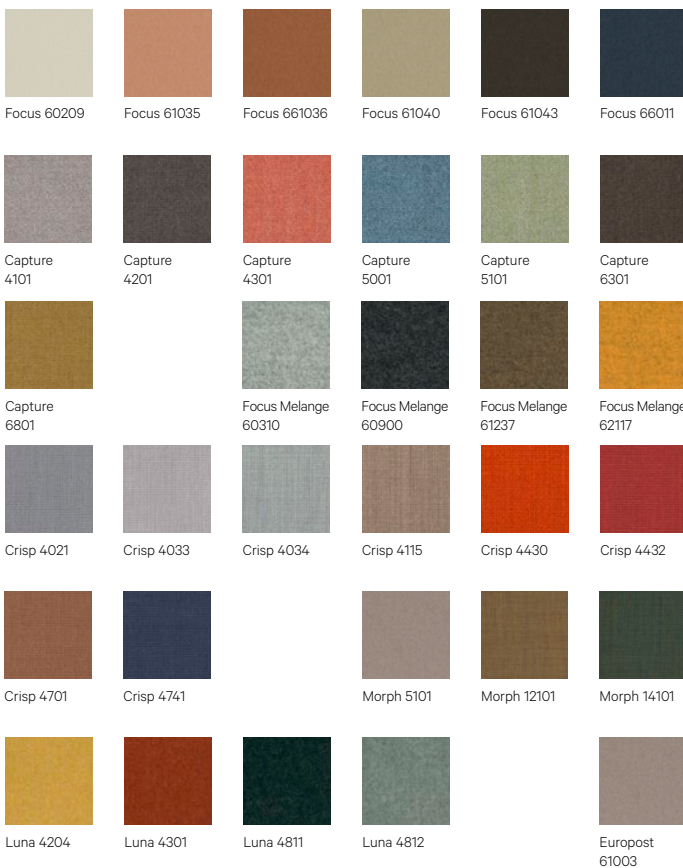
Leather

G4: Gracia



Fabrics by Gabriel

G1: Europost, Crisp, Capture, Focus | G2: Morph | G3: Luna, Focus M.



Fabrics by Kvadrat

G1: Remix | G2: Molly, Canvas | G3: Steelcut Trio



SEATING

Chairs

Chairs

