



Kimua is a contemporary take on the traditional thatched chair. The craftsmanship is marked by a clear sentimentality towards an ancestral knowledge of this art. The collection is crafted with natural, untreated hand-plaited Tabouda straw which gives the chair a delicate, refined feel.

CATEGORY:

Chair

ENVIRONMENT:

Indoor

APPLICATIONS:

— CHR
— Public

WEIGHT: 5,4 kg

MATERIALS:

Solid oak legs and backrest. Hand thatched "tabouda" straw seat. Only in natural oak finish. Felt glides.

IN OPTION: N/A

MADE TO ORDER: Finishes, page 2

SPARE PARTS:

Felt glides recommended for all types of flooring. Possibility to change for slide glides in case carpet floors.

ACCESSORIES: No

ASSEMBLED PRODUCT: Yes

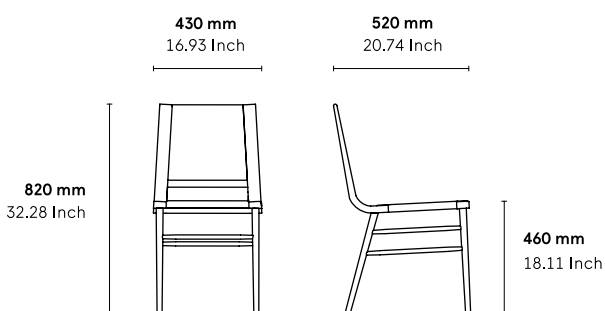
CLEANING AND CARE INSTRUCTIONS:

Dry cloth. To avoid aerosol and spray products with silicone.

DOWNLOADS:

3D and DG files are available at alki.fr – images bank section.

DIMENSIONS :



Non contractual document - modifiable without previous notice.

Finishes

Wood



Natural Oak

Kimua Collection

Design by Jean Louis Iratzoki

SEATING

Chairs
Stools
Benches

TABLES

Dining Tables
High Dining Tables

Chairs



Stools



Benches



Dining Tables



High Dining Tables

