



The Orria chair is the fruit of a meeting of minds and expertise: the designer, Patrick Jouin, the craftsman, the Atelier de Recherche et de Création at Mobilier National, and the manufacturer, Alki. The rich dialogue between these different participants and their breadth and depth of focus guided this project, which was developed at the request of the Bibliothèque Nationale de France for the Oval Reading Room. Today, in keeping with the BNF's principle of inclusiveness, Alki is now offering a reworked version of the Orria chair. The Orria chair is distinct for its pure lines and unique, exacting design. The chair's backrest is in bentwood, which echoes its flowing and seamless contours. Its technical complexity lies in the discretion and sheerness of its lines.

CATEGORY:

Chair with armrests

ENVIRONMENT:

Indoor

APPLICATIONS:

- Office
- CHR
- Public

WEIGHT: 7,6 kg

MATERIALS:

Solid oak construction. Seat and backrest fully upholstered in fabric, eco-leather or leather. Stackable by 3 pieces.

MADE TO ORDER: Finishes and upholsteries, page 2

SPARE PARTS:

Removable upholstered seat and backrest. Felt glides recommended for all types of flooring. Possibility to change for slide glides in case carpet floors.

ACCESSORIES: No

ASSEMBLED PRODUCT: Yes

COM UPHOLSTERY:

Upon request and under Alki's confirmation.
1.00 x 1.40 mts / chair

CLEANING AND CARE INSTRUCTIONS:

Dry cloth. Avoid aerosol and spray products with silicone. For upholstery versions please find cleaning instructions for selected fabric at kvadrat.dk, gabriel.dk, anticuir.com and hornsouch.com

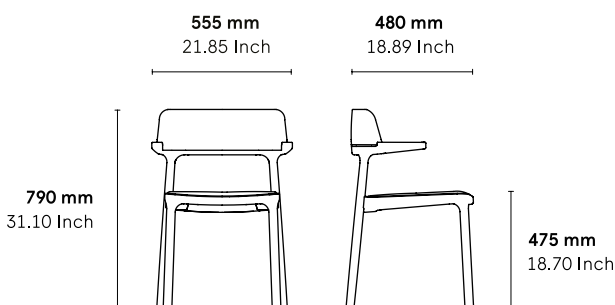
DOWNLOADS:

3D and DG files are available at alki.fr – images bank section.

CERTIFICATES AND SUSTAINABILITY:

UNE-EN 16139: 2013 / corrected version 2015 (Level 1, general use).

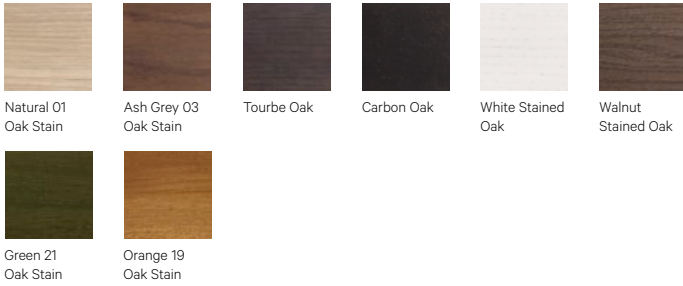
DIMENSIONS :



Non contractual document - modifiable without previous notice.

Finishes

Wood



Eco Leather

G1: Toronto | G2: Palma NF



Leather

G4: Gracia



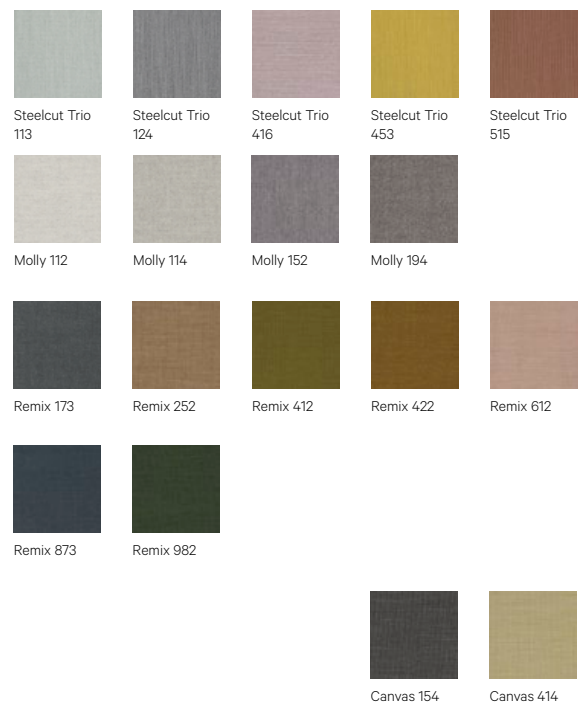
Fabrics by Gabriel

G1: Europost, Crisp, Capture, Focus | G2: Morph | G3: Luna, Focus M.



Fabrics by Kvadrat

G1: Remix | G2: Molly, Canvas | G3: Steelcut Trio



SEATING
Chairs

Chairs

