

Heldu rectangular table

760 x 1300/1850 x 850 mm

Design by Jean Louis Iratzoki



The Heldu table has a solid oak construction. Solid oak or laminated top. It is available in four different sizes. Three of these can be extensibles.

CATEGORY:

Table

ENVIRONMENT:

Indoor

APPLICATIONS:

- CHR
- Public
- Office

WEIGHT: 45 kg

MATERIALS:

Solid oak construction. Solid oak top (3 ply, 22 mm thickness) or laminate top. 550 mm foldable extension, in solid oak or laminate top.

MADE TO ORDER: Finishes and upholsteries, page 2

ACCESSORIES: No

ASSEMBLED PRODUCT: Yes

REMOVABLE PRODUCT: No

CLEANING AND CARE INSTRUCTIONS:

Dry cloth. To avoid aerosol and spray products with silicone.

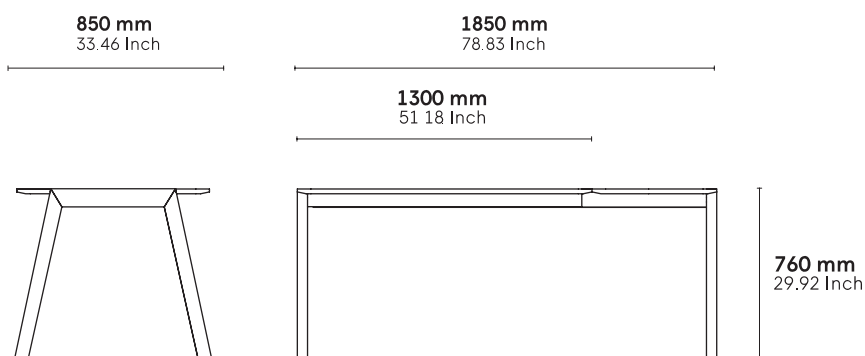
DOWNLOADS:

3D and 2D files are available at alki.fr – images bank section.

HELDU COLLECTION:



DIMENSIONS :



Non contractual document - modifiable without previous notice.

Finishes

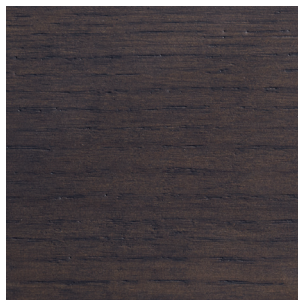
Wood



Natural Oak



Ash Grey Oak



Tourbe Oak



Carbon Oak

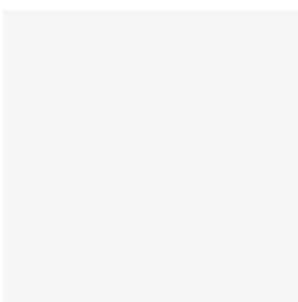


Walnut Stained Oak



White Stained Oak

Fenix Technical Surface



White 0032



Black 0720